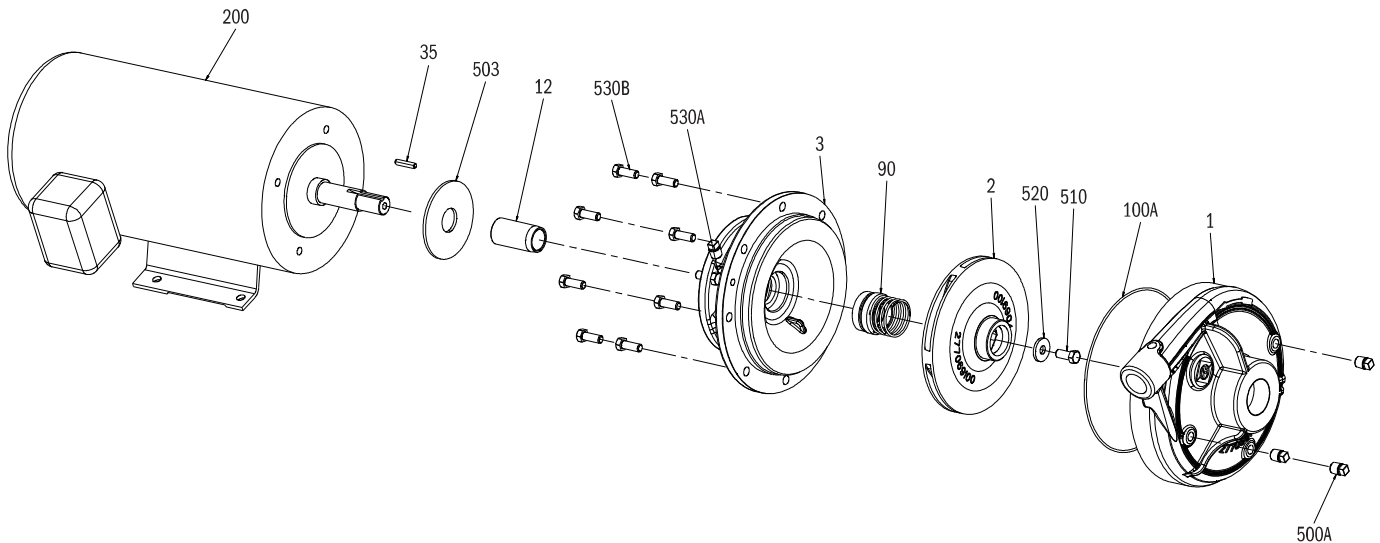


# CENTRIFUGAL PUMPS

## CLOSE-COUPLED AG SERIES

☰ MENU



Repair Parts		A1x1.5-7 (3600 RPM)	Mechanical Seal Construction	
Figure No.	Part Description	AL1x1.5-7 (1800 RPM)	Repair No.	Materials of Construction
1	Volute Case (NPT) w/plugs		305563001	Cast iron, ASTM-A48 CL30
2	Impeller, 3 hp 2-pole, 5.250" trim (.875 Bore)		305563002	Cast iron, ASTM-A48 CL30
2	Impeller, 5 hp 2-pole, 6.125" trim (.875 Bore)		305563003	Cast iron, ASTM-A48 CL30
2	Impeller, 7.5 hp 2-pole, 1hp 4-pole 7.125" trim (.875 Bore)		305563004	Cast iron, ASTM-A48 CL30
3	Motor Bracket		305563005	Cast iron, ASTM-A48 CL30
12	Sleeve, Mechanical Seal		305463227	416 stainless steel
35	Key, Impeller Shaft		305463001	301 stainless steel
90	Mechanical Shaft Seal		305463002	Carbon/ceramic/nitrile/316 stainless steel
100A	O-Ring, Volute Case (2-pack)		305463226	Nitrile
500A	Pipe Plug (4-pack)		305463020	Zinc-plated steel
503	Slinger		305450007	Neoprene
510	Hex Cap Screw, Impeller		305463006	410 stainless steel
520	Washer, Impeller		305447009	300 series stainless steel
530A	Hex Cap Screw, Motor Bracket (12 Pack)		305463010	Zinc-plated steel
530B	Hex Cap Screw, Volute Case (12 Pack)		305463010	Zinc-plated steel

### MOTOR FITMENT

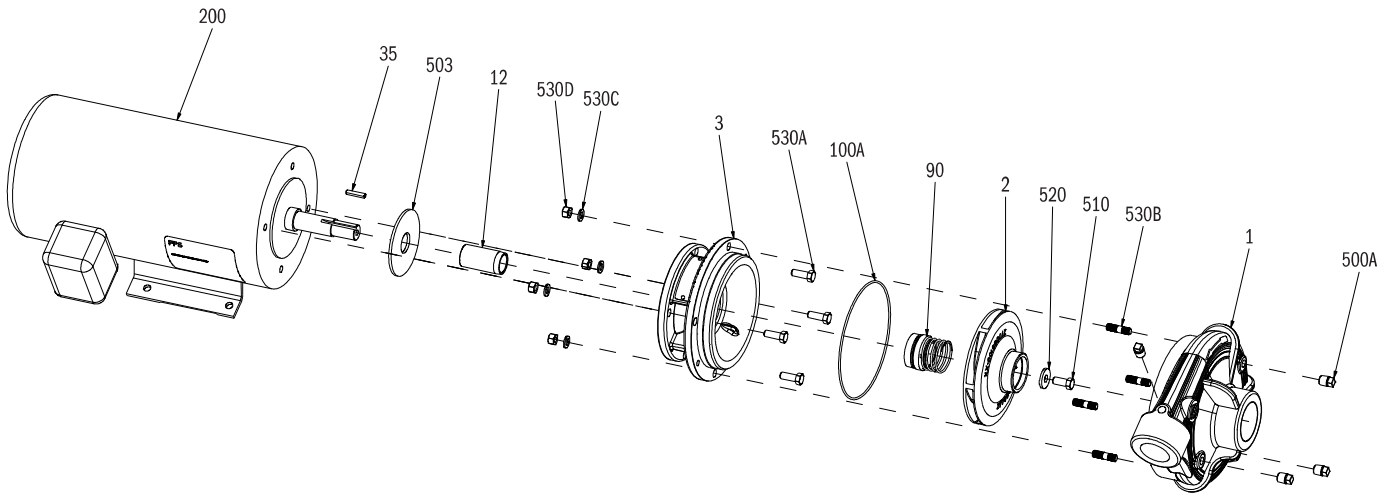
Figure No.	3600	1800	Frame	AK	Shaft Dia	Mtr Code
200	3 - 7.5HP	1HP	143-184JM	4.5	0.875	JM-1

Refer to motor specifications page for replacement information  
 Motor Frame can be determined by the pump order number and or motor nameplate

# CENTRIFUGAL PUMPS

## CLOSE-COUPLED AG SERIES

☰ MENU



Repair Parts	A1.5x2-6 (3600 RPM)		A1.5x2-6 (1800 RPM)		Mechanical Seal Construction	
	Figure No.	Part Description	Repair No. 4.5AK Models	Repair No. 8.5AK Models	Materials of Construction	
1	Volute Case (NPT) w/plugs		305566001		Cast iron, ASTM-A48 CL30	
2	Impeller, 5 hp 2-pole 5.438" trim (.875 Bore)		305566002	N/A	Cast iron, ASTM-A48 CL30	
2	Impeller, 7.5 hp 2-pole, 1 hp 4-pole, 6.000" trim (.875 Bore)		305566003		Cast iron, ASTM-A48 CL30	
2	Impeller, 10 hp 2-pole, 1.5 hp 4-pole, 6.437" trim (.875 Bore)		N/A	305566004	Cast iron, ASTM-A48 CL30	
3	Motor Bracket		305564005	305564008	Cast iron, ASTM-A48 CL30	
12	Sleeve, Mechanical Seal		305463227		416 stainless steel	
35	Key, Impeller Shaft		305463001		301 stainless steel	
90	Mechanical Shaft Seal		305463002		Carbon/ceramic/nitrile/316 stainless steel	
100A	O-Ring, Volute Case (2-pack)		305463004		Nitrile	
500A	Pipe Plug (4-pack)		305463020		Zinc-plated steel	
503	Slinger		305450007		Neoprene	
510	Hex Cap Screw, Impeller		305463006		410 stainless steel	
520	Washer, Impeller		305463228		300 series stainless steel	
530A	Hex Cap Screw, Motor Bracket (12 Pack)		305463010	305463026	Zinc-plated steel	
530B	Studs, Volute Case (4 Pack)		305463229		Zinc-plated steel	
530C	Lockwashers, Volute Case (6 Pack)		305463135		Zinc-plated steel	
530D	Nut, Volute Case		305463033		Zinc-plated steel	

### MOTOR FITMENT

Figure No.	3600	1800	Frame	AK	Shaft Dia	Mtr Code
200	5 - 7.5HP	1 - 1.5HP	143-184JM	4.5	0.875	JM-1
	7.5 - 10HP	-	213-215JM	8.5	0.875	JM-2

Refer to motor specifications page for replacement information  
 Motor Frame can be determined by the pump order number and or motor nameplate

# CENTRIFUGAL PUMPS

## CLOSE-COUPLED AG SERIES

☰ MENU

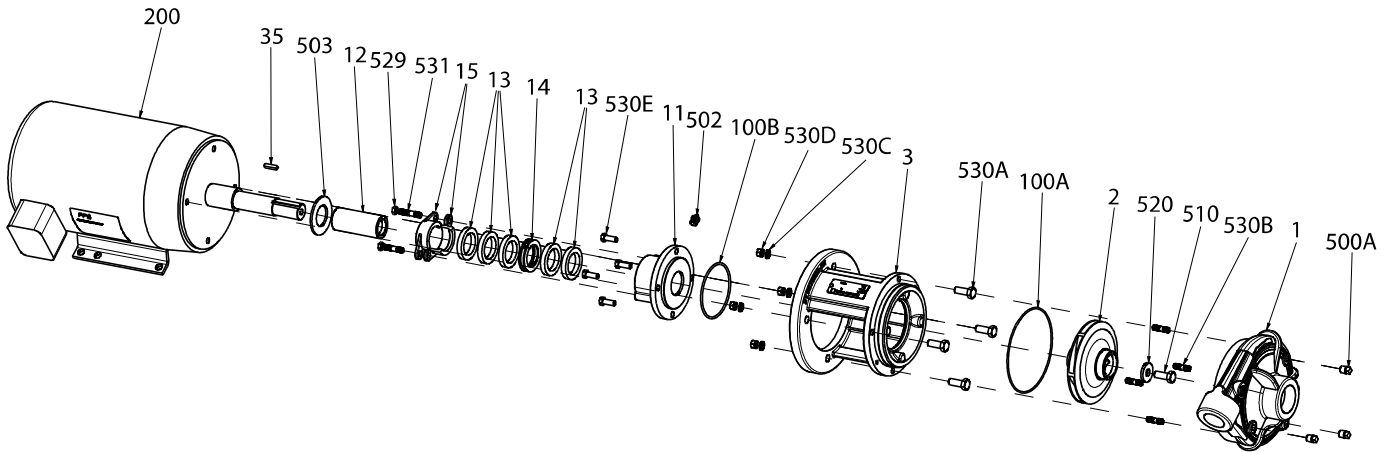


Figure No.	Repair Parts	A1.5x2-6 (3600 RPM) [Discontinued]		Packing Seal Construction	
		Part Description		Repair No.	
		4.5AK Models	8.5AK Models		
1	Volute Case (NPT) w/plugs	305566001		Cast iron, ASTM-A48 CL30	
2	Impeller, 5 hp 5.438" trim (.875 Bore)	305566002	N/A	316 stainless steel	
2	Impeller, 7.5 1ph 6.000" trim (1.250 Bore)	N/A	305566005	Cast iron, ASTM-A48 CL30	
2	Impeller, 7.5 3ph 6.000" trim (.875 Bore)	305566003	N/A	Cast iron, ASTM-A48 CL30	
2	Impeller, 10 hp 6.437" trim (1.250 Bore)	N/A	305566006	Cast iron, ASTM-A48 CL30	
3	Motor Bracket	305564006	305564009	Cast iron, ASTM-A48 CL30	
11	Packing Seal Box	305447004	305448005	Cast iron, ASTM-A48 CL30	
12	Sleeve, Shaft	305448006	305464010	416 stainless steel	
13	Packing Ring Set	305447006	305448009	Graphite/cotton	
14	Lantern Ring	N/A	305448010	Teflon	
15	Packing Gland (2-Piece)	305447007	305448011	316 stainless steel	
35	Key, Impeller Shaft	305463001	305448012	301 stainless steel	
100A	O-Ring, Volute Case (2-pack)	305463004		Nitrile	
100B	O-Ring, Seal Box (2-pack)	305463003	305463013	Nitrile	
500A	Pipe Plug (4-pack)	305463020		Zinc-plated steel	
502	Grease fitting	N/A	305463015	Zinc-plated steel	
503	Slinger	305450007	305447008	Neoprene	
510	Hex Cap Screw, Impeller	305463006	305463024	410 stainless steel/17-4 stainless steel	
520	Washer, Impeller	305447009	305450015	18-8 stainless steel	
529	Nut, Packing Gland (4-pack)	305463007		Zinc-plated steel	
530A	Hex Cap Screw, Motor Bracket (12 Pack)	305463010	305463016	Zinc-plated steel	
530B	Stud, Volute Case (4 Pack)	305463229		Zinc-plated steel	
530C	Lockwashers, Volute Case (6 Pack)	305463135		Zinc-plated steel	
530D	Nut, Volute Case	305463033		Zinc-plated steel	
530E	Hex Cap Screw, Seal Box (12-pack)	305463010		Zinc-plated steel	
531	Stud, Packing Gland (4-pack)	305463008		Zinc-plated steel	

### MOTOR FITMENT

Figure No.	3600	Frame	AK	Shaft Dia	Mtr Code
200	5 - 7.5HP	145-184JP	4.5	0.875	JP-1
	7.5 - 10HP	213-215JP	8.5	1.25	JP-2

Refer to motor specifications page for replacement information  
 Motor Frame can be determined by the pump order number and or motor nameplate